

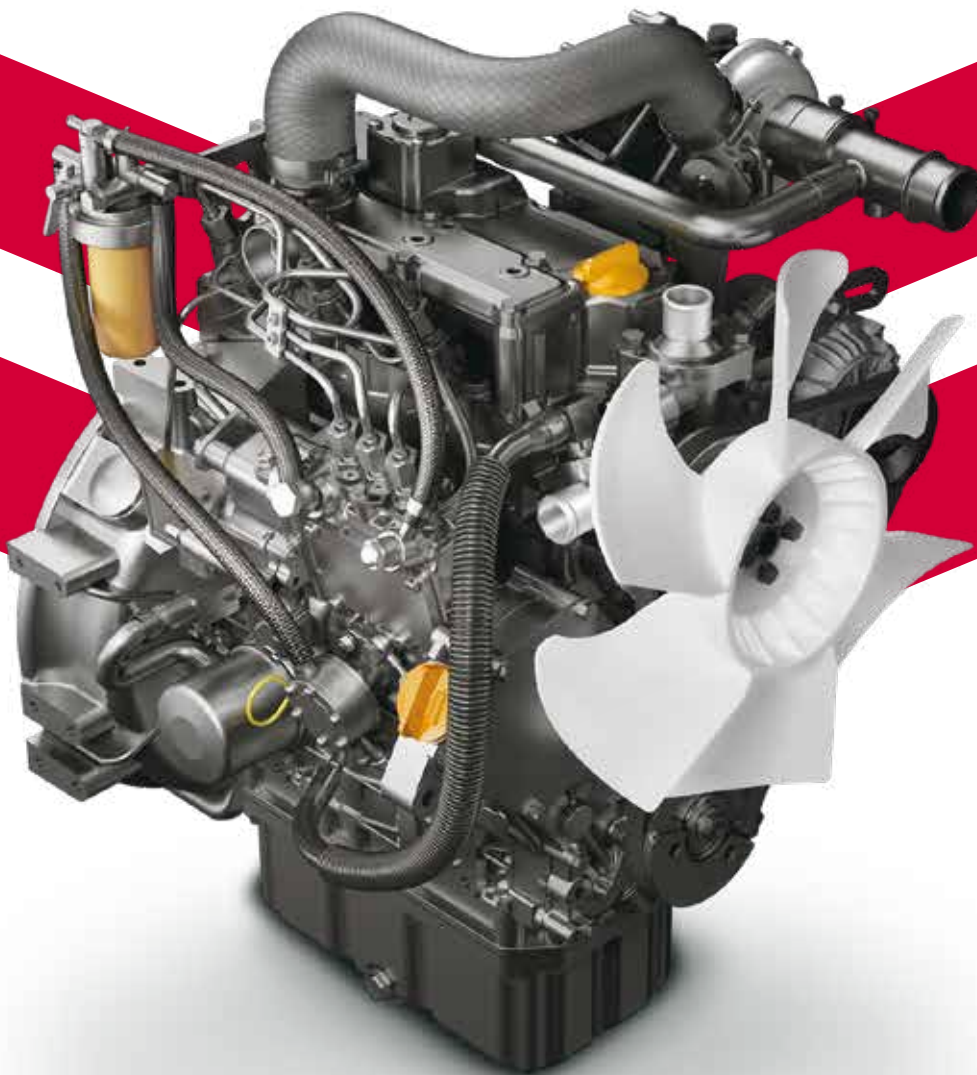


YANMAR

DIESEL ENGINES

3TNV80FT

Rated Output (Gross) 18.4kW





“Together we create and build
 an engine tailored and shaped
 to fit your needs...”

Heiko Lange
Sales manager
 Yanmar Europe B.V.

Whether you try to stay ahead of the competition or meet legislation like Stage 5, change is inevitable. Our partnership is about helping our customers in this process. Of course by providing high quality engines, but more important, a strong partnership. Far beyond the engine’s life cycle. That is what partnership is all about. So you feel safe with change. Because change is inevitable.

OUR PARTNERSHIP HAS NO DOWNTIME

Made to perform

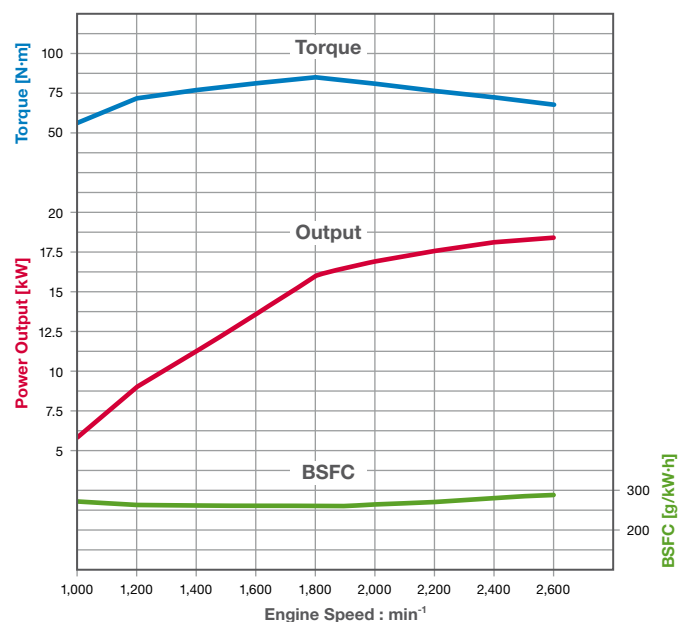
Whether mobile or stationary, the heart of a machine is the engine. Whether you are designing something to work in construction, landscaping or agriculture, certain characteristics are crucial. The 3TNV80FT offers unrivalled life cycle value coupled to the legendary Yanmar durability. It’s powerful, economical, clean running and with low vibration so it is certain to become an operator favourite. What’s more it’s compact, with a small profile, making it easier to install where space is tight. It’s nice and light too.

Ready for work

It’s taken decades of design experience to have produced this advanced piece of precision engineering. The flat blue curve opposite speaks volumes – this engine offers excellent levels of torque right where it’s needed, at low revs. A robust mechanical fuel injection system and a perfectly matched turbo are overseen by a clever electronic control unit to deliver the very best performance from every drop of fuel. With long service intervals and the backing of Yanmar’s comprehensive dealer network the 3TNV80FT is sure to become a leader in the light industrial sector.

Performance Curves

3TNV80FT 18.4kW at 2,600min⁻¹



DEALER NETWORK

18.4 kW

3TNV80FT

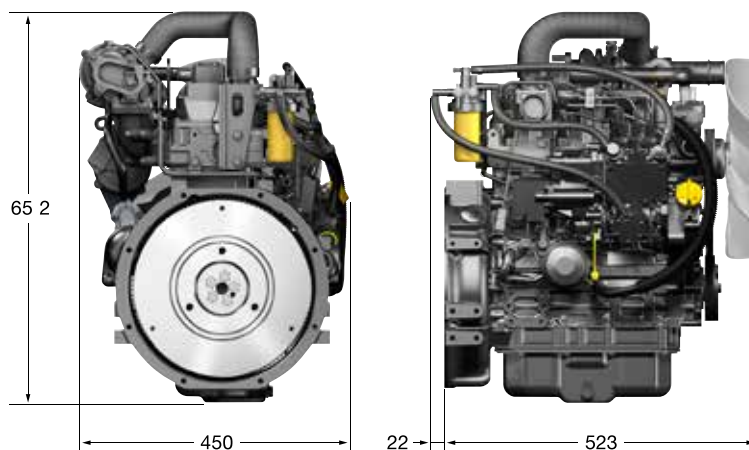
- Higher Peak Torque
- Electronic Governor
- Certified EPA Final Tier4
- SAE J1939 CAN bus



Specifications

Engine Model		3TNV80FT
Type		Vertical cylinder, 4-cycle water-cooled diesel engine
Emission Compliance		EPA Final Tier4
Fuel Injection		Indirect injection (IDI)
Aspiration		Turbocharged (T/C)
Fuel Injection System		Mechanical with electronic governor
No. of Cylinders		3
Bore x Stroke	mm	80 x 84
Displacement	L	1.266
Rated Output (Gross)	kW / min ⁻¹	18.4 / 2,600
	hp / min ⁻¹	24.7 / 2,600
Max. Torque (Gross)	N·m / min ⁻¹	85.0 / 1,800
Overall Length x Width x Height	mm	545 x 450 x 652
Weight (Dry)	kg	121

Dimensions



Unit: mm

Option

- Large Capacity Oil Pan





Head Office

Yanmar Co., Ltd
YANMAR FLYING-Y BUILDING
1-32 Chayamachi, Kita-ku,
530-8311 Osaka, Japan
www.yanmar.com

Regional Office / Sales & Service

Yanmar Europe B.V.
Brugplein 11, 1332 BS Almere, The Netherlands
T: +31 (0)36 549 3200
F: +31 (0)36 549 3209
E: industrial-yeu@yanmar.com
www.yanmar.com/eu